



90 HIGH EFFICIENCY DOWNFLOW/ HORIZONTAL GAS FURNACES

The Thermal Zone® 90 High Efficiency line of downflow/horizontal gas furnaces are designed for utility rooms, closets, alcoves, attics or crawl spaces. The TZ91DH is shipped in the downflow configuration and is easily converted for horizontal **left-hand** airflow applications.

The design is certified by CSA.

Features

- Low profile “34 inch” design is lighter and easier to handle and leaves room for optional accessories.
- Top electrical connections, left or right gas and condensate drainage connections on downflow models.
- Condensate drain for horizontal application provided standard.
- Integrated control board manages all operational functions and provides hookups for an electronic air cleaner.
- A slow-opening gas valve and a specially designed inducer system make it one of the quietest furnaces on the market today.
- Galvanized steel cabinet.
- Optional indoor or outdoor combustion air.
- Control board diagnostics.

A variety of cooling coils and plenums designed to use with the Thermal Zone Value Series 90 gas furnaces are available as optional accessories for air conditioning models.

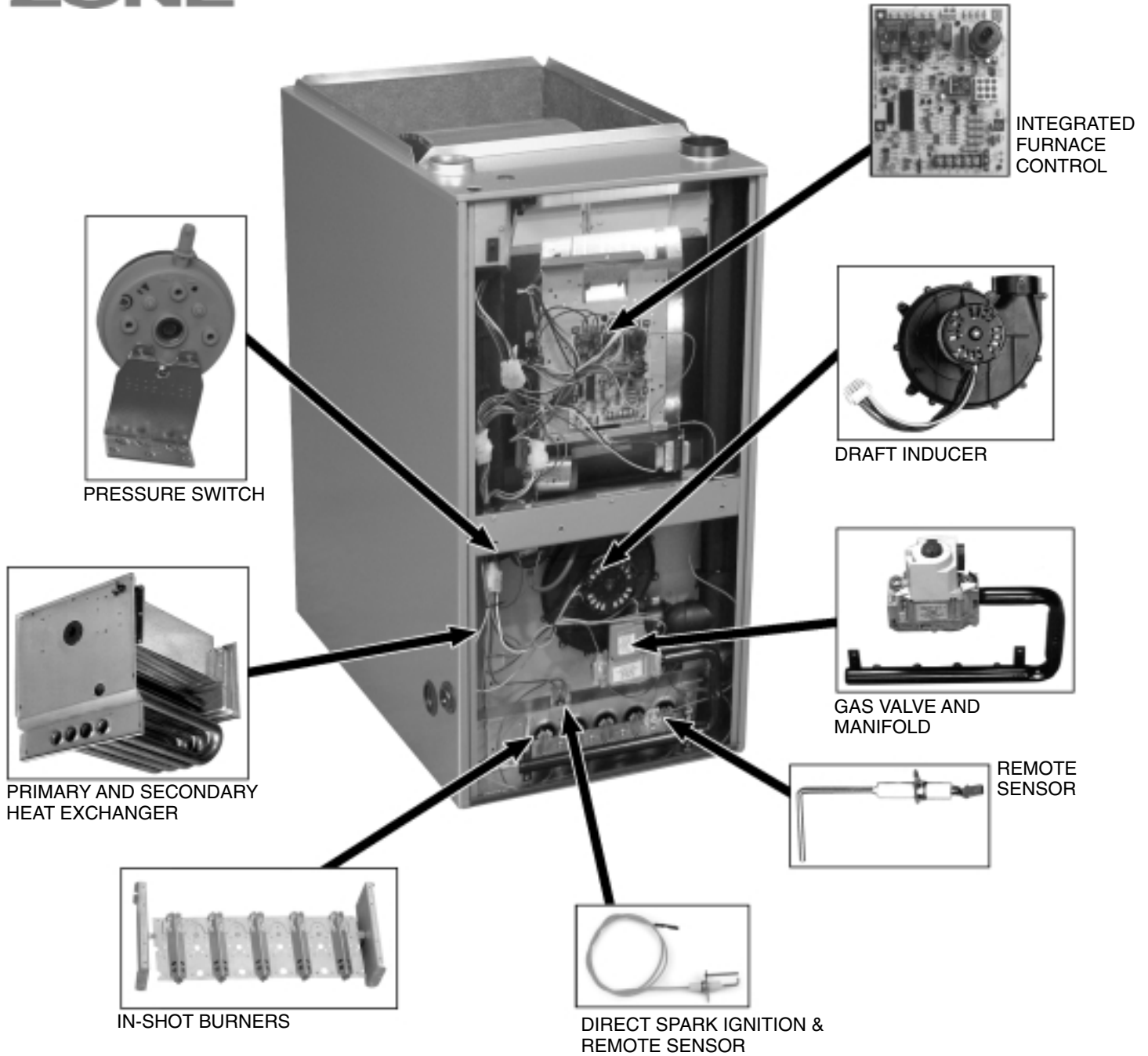
†A.F.U.E. (Annual Fuel Utilization Efficiency) calculated in accordance with Department of Energy test procedures.

TZ91DH- SERIES
Models with Input Rates
from 45,000 to 120,000 BTU/HR
[13.19 to 35.17 kW]
(All Models 90% A.F.U.E.† or Above)





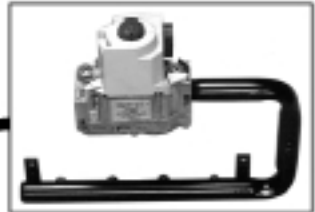
90 HIGH EFFICIENCY DOWNFLOW/HORIZONTAL GAS FURNACE



INTEGRATED
FURNACE
CONTROL



DRAFT INDUCER



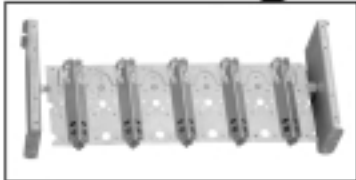
GAS VALVE AND
MANIFOLD



REMOTE
SENSOR



DIRECT SPARK IGNITION &
REMOTE SENSOR



IN-SHOT BURNERS



PRIMARY AND SECONDARY
HEAT EXCHANGER



PRESSURE SWITCH

STANDARD EQUIPMENT

Completely assembled and wired; heat exchanger; primary: 409 stainless steel, secondary: 29-4C stainless steel; induced draft; pressure switch; redundant main gas control; blower compartment door safety switch; solid state time on/off blower control; limit controls; manual shut-off valve; 100% safety lock out; cool fan off delay; field selectable heat fan off delay; one hour automatic retry; self-test diagnostics; control diagnostics; electronic air cleaner connections; pressure regulator for natural and L.P. (propane) gases; transformer; direct drive, multi-speed blower motor.
(Please note: a thermostat is not included as standard equipment.)

OPTIONAL EQUIPMENT

(See Accessory Page)

All models can be converted by a qualified distributor or local service dealer to use L.P. (propane) gas without changing burners. Factory approved kits must be used to convert from natural to L.P. (propane) gas and may be ordered as optional accessories from a parts distributor.

For L.P. (propane) operation, refer to Conversion Kit Index Form.

WARNING
THIS FURNACE IS NOT APPROVED
OR RECOMMENDED
FOR USE IN MOBILE HOMES

BEFORE PURCHASING THIS APPLIANCE, READ IMPORTANT ENERGY COST AND EFFICIENCY INFORMATION AVAILABLE FROM YOUR RETAILER.

PHYSICAL DATA AND SPECIFICATIONS

DOWNFLOW/HORIZONTAL MODELS U.S. and Canadian Models

MODEL NUMBERS TZ91DH- SERIES	453TA	603TA	753TA	754TA	903TA	905TA	105TA	125TA
INPUT-BTU/HR [kW] ①	45,000 [13.19]	60,000 [17.58]	75,000 [21.98]	75,000 [21.98]	90,000 [26.37]	90,000 [26.37]	105,000 [30.77]	120,000 [35.17]
HEATING CAPACITY BTU/HR [kW]	42,000 [12.31]	56,000 [16.41]	70,000 [20.51]	70,000 [20.51]	84,000 [24.61]	84,000 [24.61]	97,000 [28.43]	113,000 [33.12]
HIGH ALTITUDE INPUT [kW] ②	40,500 [11.87]	54,000 [15.83]	67,500 [19.78]	67,500 [19.78]	81,000 [23.73]	81,000 [23.73]	94,500 [27.70]	108,000 [31.65]
HIGH ALTITUDE OUTPUT CAPACITY [kW] ②	37,800 [11.07]	50,400 [14.77]	63,000 [18.46]	63,000 [18.46]	76,000 [22.27]	76,000 [22.27]	87,500 [25.64]	100,000 [29.31]
BLOWER (D x W) [mm]	11 x 7 [279 x 178]	11 x 7 [279 x 178]	11 x 7 [279 x 178]	12 x 7 [305 x 178]	12 x 11 [305 x 279]	12 x 11 [305 x 279]	12 x 11 [305 x 279]	11 x 10 [279 x 254]
MOTOR H.P. [W] SPEEDS-TYPE	1/2 [373] 4-PSC	1/2 [373] 3-PSC	1/2 [373] 3-PSC	3/4 [559] 3-PSC	1/2 [373] 3-PSC	3/4 [559] 3-PSC	3/4 [559] 3-PSC	3/4 [559] 3-PSC
MOTOR FULL LOAD AMPS	6.8	6.8	6.8	9.5	8.0	9.5	9.5	9.5
HEATING SPEED	Med-Low	Low	Med	Low	Med	Low	Low	Low
COOLING SPEED	High	High	High	High	High	High	High	High
HEAT EXT. STATIC PRESSURE (IN. W.C.) [kPa]	.10 [.025]	.12 [.029]	.12 [.029]	.12 [.029]	.15 [.037]	.15 [.037]	.20 [.049]	.20 [.049]
RATED EXT. STATIC PRESSURE (IN. W.C.) [kPa]	.50 [.12]	.50 [.12]	.50 [.12]	.50 [.12]	.50 [.12]	.50 [.12]	.50 [.12]	.50 [.12]
HEATING C.F.M. @ .2" W.C. E.S.P. [L/s]	890 [420]	885 [418]	1060 [500]	1275 [602]	1400 [661]	1400 [661]	1425 [673]	1565 [739]
COOLING C.F.M. @ .5" W.C. E.S.P. [L/s]	1220 [576]	1180 [557]	1150 [543]	1625 [767]	1570 [740]	1850 [873]	1820 [859]	2040 [963]
TEMPERATURE RISE RANGE °F [°C]	30-60 [16.7-33.3]	40-70 [22.2-38.9]	45-75 [25-41.7]	35-65 [19.4-36.1]	35-65 [19.4-36.1]	35-65 [19.4-36.1]	50-80 [27.8-44.4]	50-80 [27.8-44.4]
STANDARD FILTER [mm]	(2) 12" x 20" [305 x 508]	(2) 12" x 20" [305 x 508]	(2) 12" x 20" [305 x 508]	(2) 12" x 20" [305 x 508]	(2) 12" x 20" [305 x 508]	(2) 12" x 20" [305 x 508]	(2) 12" x 20" [305 x 508]	(2) 14" x 20" [609 x 508]
APPROX. SHIPPING WEIGHT (LBS.) [kg]	111 [50.3]	117 [53.1]	123 [55.8]	123 [55.8]	148 [67.1]	148 [67.1]	152 [68.9]	160 [72.6]
AFUE ③	92.0%	92.4%	92.0%	92.3%	92.4%	92.4%	92.0%	92.1%
CALIFORNIA SEASONAL EFFICIENCY ③	84.35%	86.46%	89.96%	85.00%	86.40%	86.40%	87.02%	87.37%

NOTES: All models are 115V, 60HZ, 1Ø. Gas connection size for all models is 1/2" [13 mm] N.P.T.

① See Conversion Kit Index Form for high altitude derate.

② Canadian installations only.

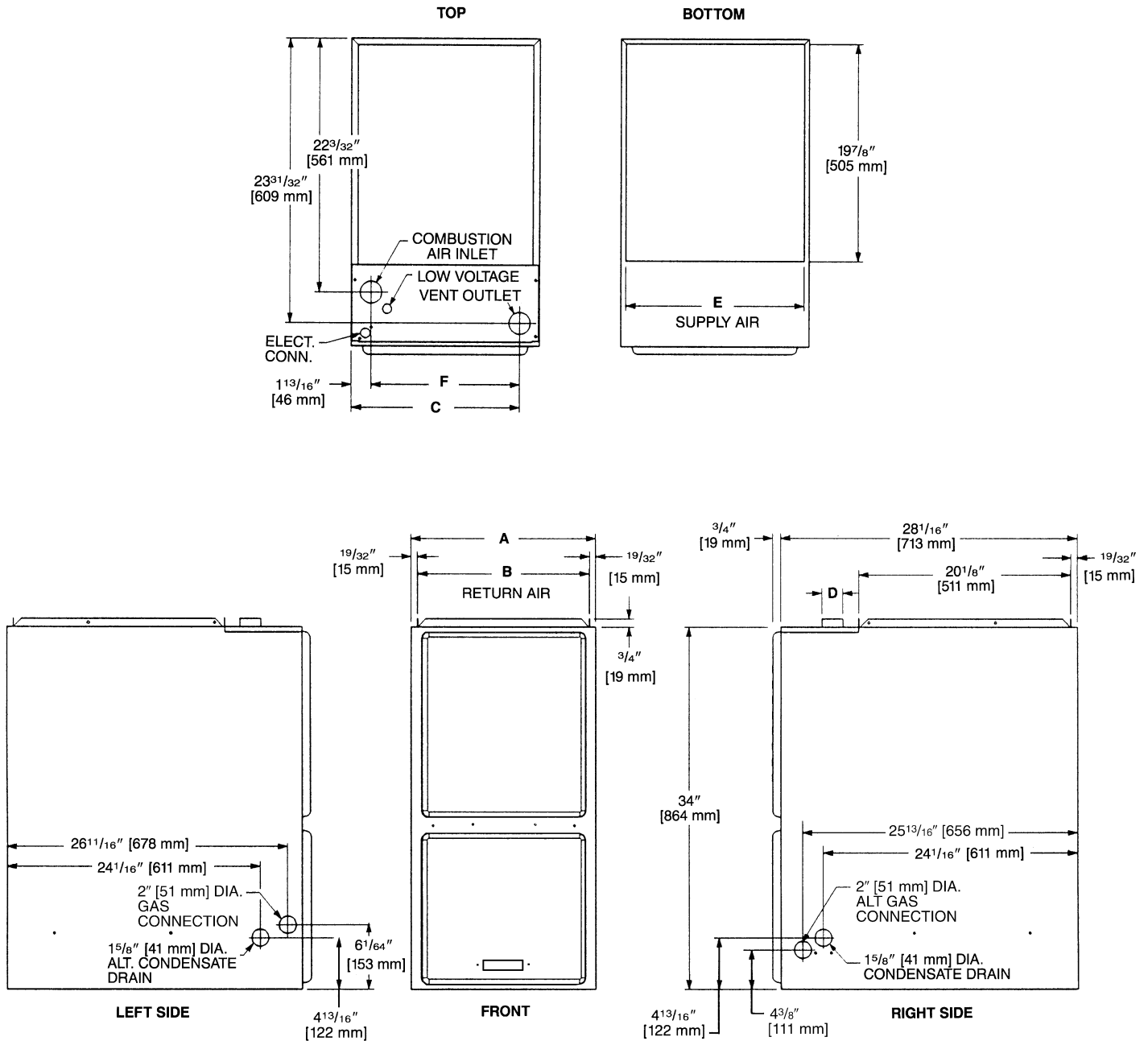
③ In accordance with D.O.E. test procedures.

MODEL IDENTIFICATION

TZ	9	1	DH	45	3TA
Thermal Zone®	90 Plus Efficiency	Single Stage	Downflow/ Horizontal	Heating Input Designation Input BTU/HR [kW] 45 = 45,000 [13.1] 60 = 60,000 [17.6] 75 = 75,000 [21.9] 90 = 90,000 [26.4] 10 = 105,000 [30.7] 12 = 120,000 [35.2]	Nominal Airflow 3TA = 3 TON 4TA = 4 TON 5TA = 5 TON

[] Designates Metric Conversions

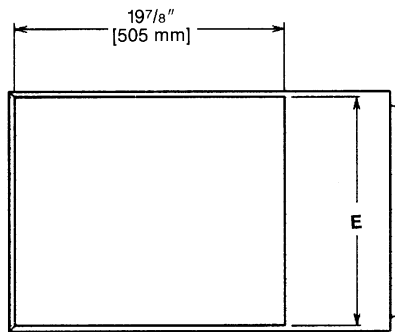
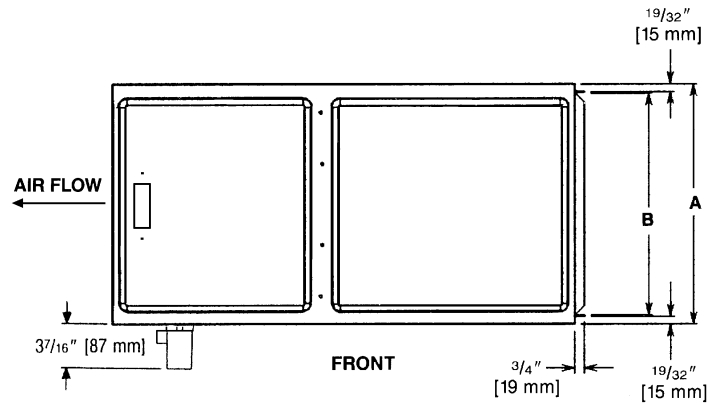
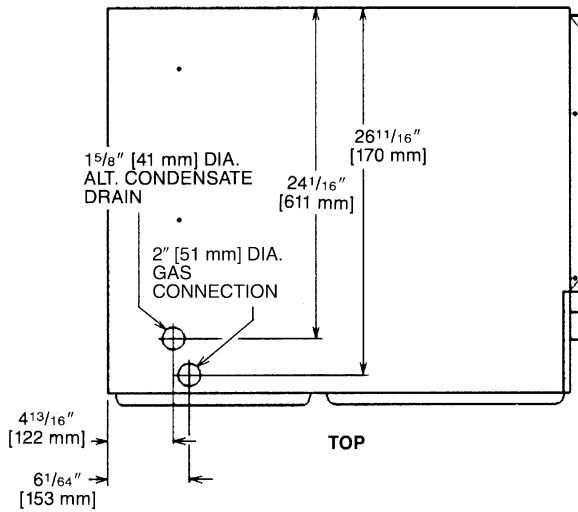
DOWNFLOW MODELS



MODEL TZ91DH-	A	B	C	D	E	F	LEFT SIDE	MINIMUM CLEARANCE (IN.) [mm]					SHIP WGTS. [kg]
								RIGHT SIDE	BACK	TOP	FRONT	VENT	
45	17 ¹ / ₂ [445]	16 ¹¹ / ₃₂ [415]	15 ⁵ / ₈ [397]	2 [51]	16 ⁵ / ₈ [422]	13 ⁷ / ₈ [352]	0	0	0	1 [25]	2 [51]	0	111 [50]
60	17 ¹ / ₂ [445]	16 ¹¹ / ₃₂ [415]	15 ⁵ / ₈ [397]	2 [51]	16 ⁵ / ₈ [422]	13 ⁷ / ₈ [352]	0	0	0	1 [25]	2 [51]	0	117 [53]
753TA	17 ¹ / ₂ [445]	16 ¹¹ / ₃₂ [415]	15 ⁵ / ₈ [397]	2 [51]	16 ⁵ / ₈ [422]	13 ⁷ / ₈ [352]	0	0	0	1 [25]	2 [51]	0	123 [56]
754TA	21 [533]	19 ²⁷ / ₃₂ [504]	19 ³ / ₁₆ [486]	2 [51]	20 ¹ / ₈ [511]	17 ³ / ₈ [441]	0	0	0	1 [25]	2 [51]	0	123 [56]
90	21 [533]	19 ²⁷ / ₃₂ [504]	19 ³ / ₁₆ [486]	2 [51]	20 ¹ / ₈ [511]	17 ³ / ₈ [441]	0	0	0	1 [25]	2 [51]	0	148 [67]
10	21 [533]	19 ²⁷ / ₃₂ [504]	19 ³ / ₁₆ [486]	2 [51]	20 ¹ / ₈ [511]	17 ³ / ₈ [441]	0	0	0	1 [25]	2 [51]	0	152 [69]
12	24 ¹ / ₂ [622]	23 ¹¹ / ₃₂ [593]	22 ⁵ / ₈ [575]	2 [51]	23 ⁵ / ₈ [600]	20 ⁷ / ₈ [530]	0	0	0	1 [25]	2 [51]	0	160 [73]

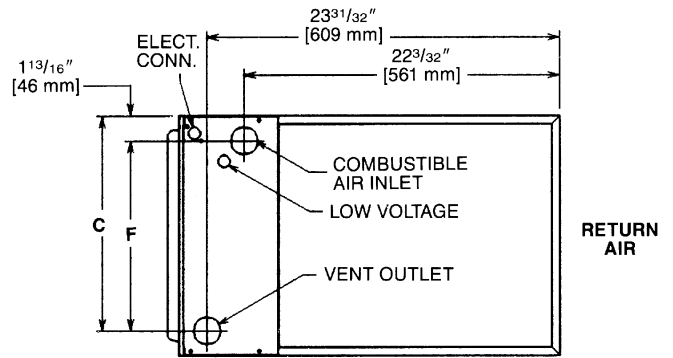
IMPORTANT NOTE: Horizontal furnace may be installed for horizontal left hand air supply **ONLY**. The condensate trap provided for horizontal application must be installed in the field beneath the unit as directed in the furnace Installation & Operating Instructions.

HORIZONTAL MODELS

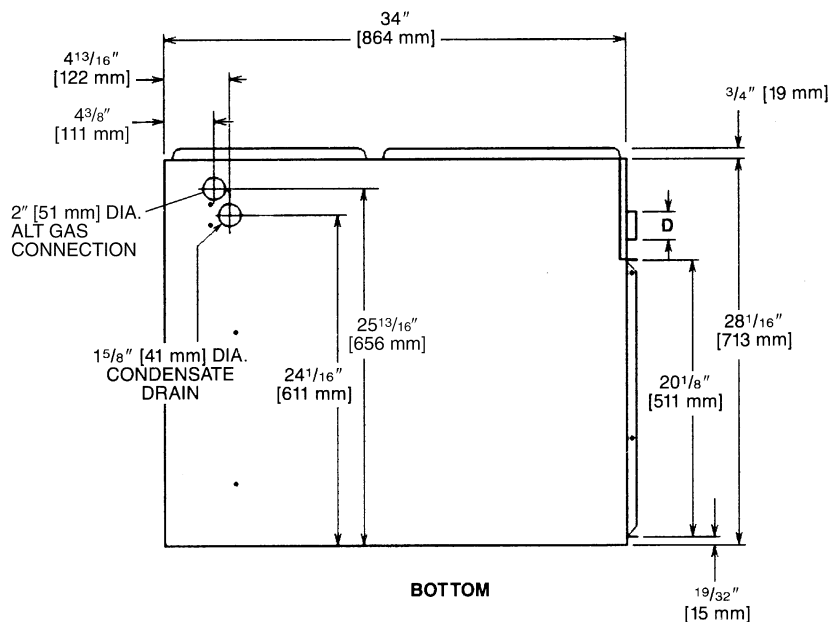


LEFT SIDE

SUPPLY AIR



RIGHT SIDE



BOTTOM

IMPORTANT NOTE: Horizontal furnace may be installed for horizontal left hand air supply **ONLY**. The condensate trap provided for horizontal application must be installed in the field beneath the unit as directed in the furnace Installation & Operating Instructions.

BLOWER PERFORMANCE DATA—TZ91DH MODELS

MODEL TZ91DH-	BLOWER SIZE IN. [mm]	MOTOR H.P. [W]	BLOWER SPEED	CFM [L/s] AIR DELIVERY EXTERNAL STATIC PRESSURE INCHES WATER COLUMN [kPa]							
				0.1 [.02]	0.2 [.05]	0.3 [.07]	0.4 [.10]	0.5 [.12]	0.6 [.15]	0.7 [.17]	
				453TA	11 x 7 [279 x 178]	1/2 [373]	LOW MED-LO MED-HI HIGH	820 [387] 930 [439] 1150 [543] 1414 [667]	790 [373] 890 [420] 1120 [528] 1365 [644]	760 [359] 850 [401] 1090 [514] 1320 [622]	725 [342] 815 [384] 1045 [493] 1270 [599]
603TA	11 x 7 [279 x 178]	1/2 [373]	LOW MED HIGH	910 [429] 1115 [526] 1365 [644]	885 [418] 1080 [510] 1315 [620]	860 [406] 1045 [493] 1270 [600]	815 [384] 1005 [474] 1225 [578]	770 [363] 965 [455] 1180 [557]	725 [342] 920 [434] 1125 [491]	680 [321] 875 [413] 1070 [505]	
753TA	11 x 7 [279 x 178]	1/2 [373]	LOW MED HIGH	890 [420] 1100 [519] 1340 [632]	860 [406] 1060 [500] 1295 [611]	835 [394] 1025 [484] 1250 [590]	790 [373] 980 [462] 1200 [566]	750 [354] 940 [443] 1150 [543]	705 [332] 890 [420] 1090 [514]	660 [311] 845 [399] 1025 [484]	
754TA	12 x 7 [305 x 178]	3/4 [559]	LOW MED HIGH	1405 [668] 1595 [753] 1835 [866]	1375 [649] 1560 [736] 1780 [840]	1350 [637] 1525 [720] 1730 [816]	1310 [618] 1480 [698] 1675 [791]	1270 [599] 1440 [679] 1625 [767]	1235 [583] 1380 [651] 1555 [734]	1195 [564] 1325 [625] 1480 [698]	
903TA	12 x 11 [305 x 279]	1/2 [373]	LOW MED HIGH	1155 [545] 1420 [670] 1605 [757]	1125 [531] 1400 [661] 1575 [743]	1100 [519] 1380 [651] 1550 [732]	1080 [510] 1365 [644] 1560 [736]	1060 [500] 1350 [637] 1570 [740]	1000 [472] 1260 [594] 1480 [698]	940 [443] 1175 [554] 1395 [656]	
905TA	12 x 11 [305 x 279]	3/4 [559]	LOW MED HIGH	1420 [670] 1605 [757] 2005 [946]	1400 [661] 1575 [743] 1965 [927]	1380 [651] 1550 [732] 1930 [910]	1365 [644] 1560 [736] 1890 [892]	1350 [637] 1570 [740] 1850 [873]	1260 [594] 1480 [698] 1765 [833]	1175 [554] 1395 [656] 1680 [793]	
105TA	12 x 11 [305 x 279]	3/4 [559]	LOW MED HIGH	1460 [689] 1680 [793] 2055 [970]	1425 [672] 1645 [776] 2000 [944]	1390 [656] 1615 [762] 1940 [915]	1375 [649] 1585 [748] 1880 [887]	1360 [642] 1560 [736] 1820 [859]	1280 [604] 1490 [703] 1745 [823]	1200 [566] 1420 [670] 1675 [790]	
125TA	11 x 10 [279 x 245]	3/4 [559]	LOW MED HIGH	1590 [750] 1840 [868] 2315 [1093]	1565 [738] 1820 [860] 2250 [1062]	1540 [727] 1800 [850] 2185 [1031]	1505 [710] 1750 [826] 2110 [996]	1475 [696] 1700 [802] 2040 [963]	1425 [672] 1645 [776] 1965 [927]	1375 [649] 1590 [750] 1890 [892]	

NOTE: Recommended blower speeds are in bold.

[] Designates Metric Conversions

GENERAL TERMS OF LIMITED WARRANTY

Thermal Zone® will furnish a replacement for any part of this product which fails in normal use and service within the applicable period stated, in accordance with the terms of the limited warranty.

For Complete Details of the Limited Warranty, Including Applicable Terms and Conditions, See Your Local Installer or Contact the Manufacturer for a Copy.

Primary and Secondary Heat Exchanger ...Twenty (20) Years
*Any Other Part.....Five (5) Years

*This five year limited warranty is applicable only to single-phase products installed in residential applications on or after January 1, 2001.

ACCESSORIES—DOWNFLOW

VENT TERMINATION KITS CONCENTRIC: Horizontal/Vertical = RXGY-E03

HORIZONTAL TWO PIPE: RXGY-D02, RXGY-D03, RXGY-D04

CONDENSATE PUMP KIT: RXGY-B01

NEUTRALIZER KIT: RXGY-A01

FOSSIL FUEL KIT: RXPF-F01, RXPF-F02 (TVA)

PLENUM DATA FOR “A” COILS

Plenum adapters are required in some applications when plenum and furnace size do not match.

FURNACE WIDTH IN. [mm]	PLENUM WIDTH IN. [mm]	PLENUM ADAPTER DOWNFLOW	COIL PLENUM
17½ [445]	16¼ [413]	RXAA-C186	RXAL-B16BU
17½ [445]	20¼ [514]	RXAA-C173	RXAL-B20BU
17½ [445]	21⅝ [549]	RXAA-C187	RXAL-B21BU
17½ [445]	25¼ [641]	RXAA-C174	RXAL-B25BU
21 [533]	25¼ [641]	RXAA-C175	RXAL-B25BU
21 [533]	22¼ [565]	RXAA-C176	RXAL-B22BU
21 [533]	21⅝ [549]	RXAA-C188	RXAL-B21BU
24½ [622]	25¼ [641]	RXAA-C177	RXAL-B25BU
24½ [622]	21⅝ [549]	RXAA-C187	RXAL-B21BU

COMBUSTIBLE FLOOR BASE: RXGC-B17, RXGC-B21, RXGC-B24

EXTERNAL TOP MOUNT FILTER RACK: RXGF-CC

INTERNAL FILTER RACK FOR AIR RETURN DUCT: RXGF-DB*

Each order contains (1) one box of 10 filter racks supplied without filters.

*Filters available through PROSTOCK®.

FILTER RACK FILTER SIZES® INCHES [mm]	
MODEL TZ91DH-	RXGF-CC
45	(2) 12 x 20 [305 x 508]
60	(2) 12 x 20 [305 x 508]
75	(2) 12 x 20 [305 x 508]
90	(2) 12 x 20 [305 x 508]
10	(2) 12 x 20 [305 x 508]
12	(2) 14 x 20 [305 x 508]

*Filter racks are shipped without filters.

RXGP-F03

TWINNING KIT—is for use with Thermal Zone® Gas Furnaces for parallel operation requirements.

FOR HIGH ALTITUDES:

*HIGH ALTITUDE KIT:
F04-105 KBTU/H
F06-45/60/90 KBTU/H
F05-120 KBTU/H
F07-75 KBTU/H

*For installations over 5000 ft.

OPTION CODE FOR HIGH ALTITUDE: U.S. & Canada – 278

NOTE: High altitude kits and options do **NOT** include additional burner orifices. If a burner orifice change is necessary, they must be ordered through PROSTOCK®. See Installation Instructions for more information.

Option – 278 furnaces are shipped with #51 DMS orifices installed. This is one drill size smaller than standard furnaces to account for expected average elevations and heating values typically seen in these areas.

CAUTION: Always follow National Fuel Gas Code (NFGC) guidelines when converting furnaces for high altitudes.

For all installations above 2000 ft. (including all option – 278 models), the burner orifice size needs to be recalculated and verified. A burner orifice change may still be required. See Installation Instructions for more information.

NOTE: For Canadian installations only, an optional derate (manifold gas pressure reduction) method may be used to adjust the furnace for altitude. See Installation Instructions for more information. This optional method may **NOT** be used for U.S. installations.

[] Designates Metric Conversions

Before proceeding with installation, refer to installation instructions packaged with each model, as well as complying with all Federal, State, Provincial, and Local codes, regulations, and practices.

"In keeping with its policy of continuous progress and product improvement, the right is reserved to make changes without notice."